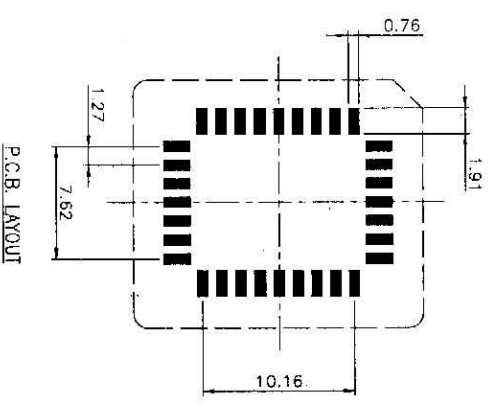
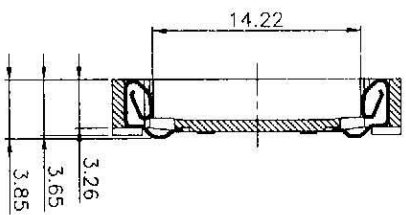
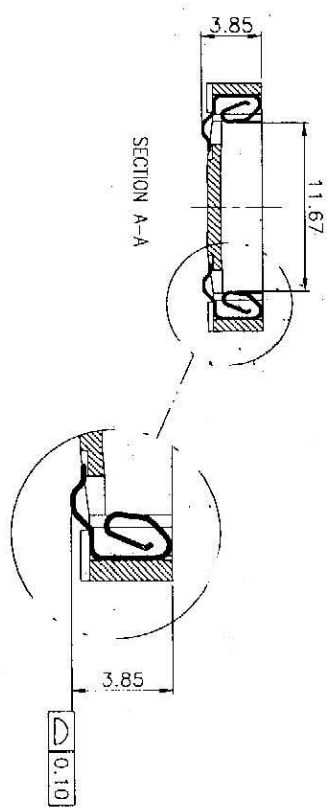
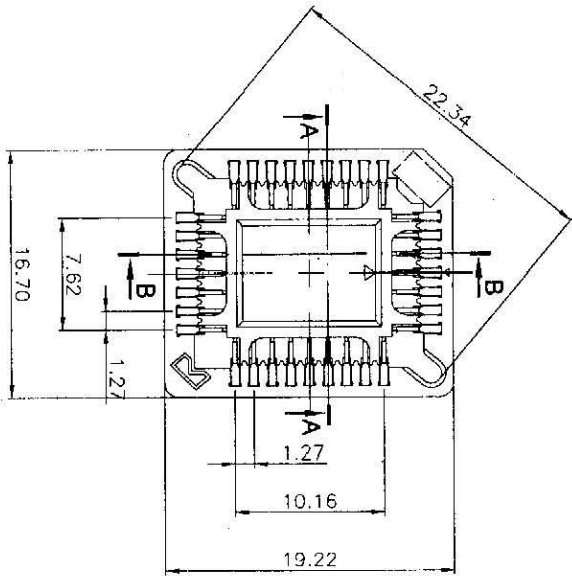


ORDERING INFORMATION
 SERIES NO. **J1612-102**
 TYPE **E**
 NO. OF CONTACTS **32**
 COLOR **C**
 CONTACT PLATING **XX**
 POLARIZING PEGS **1**
 PACKAGE **XX**
 MARK **0**
 REMARKS **0**

EMINI TYPE
 C-COFFEE
 CONTACT PLATING
 20-DULL PURE TIN
 30-BRIGHT PURE TIN
 61:GOLD FLASH 1 μ -MIN.
 1-W/O PEGS
 11-TUBE 5.5mm(MINI)
 25-TAPE&REEL(MINI 32mmB2E)



MATERIAL
 INSULATOR: PPS+40% GF (UL94V-0)
 CONTACT: PHOSPHOR BRONZE
 SPECIFICATION
 CURRENT RATING: 1amp
 CONTACT RESISTANCE: 20 m Ω MAX
 INSULATION RESISTANCE: 500 M Ω MIN
 DIELECTRIC WITHSTANDING VOLTAGE: 600VAC RMS MIN
 OPERATING TEMPERATURE RANGE: -20C TO +105C
 DURABILITY: 25 CYCLES, NO ELECTRICAL DEGRADATION

REV.	REVISION RECORD	DATE
G	E-05-01-002	02/03/05
H	E-05-04-002	05/10/05
I	1-05-08-009	08/18/05
J	E-07-12-009	12/26/07

General Tolerances
 LINEAR 0.0 \pm 0.30 ANGLES \pm 3°
 0.001 \pm 0.20
 UNIT:mm

Jen Jia Precision Co., LTD.
 TITLE: SMT PLCC MINI SOCKET

REV.	REVISION RECORD	DATE	NAME	DATE	SCALE	SHEET	REV.
G	E-05-01-002	02/03/05	Peter	08/01/07	2 : 1	1 OF 1	J
H	E-05-04-002	05/10/05	Paul	08/01/07			
I	1-05-08-009	08/18/05	Tina	08/01/07			
J	E-07-12-009	12/26/07					